

# SDF2E Downflow Fan Heater

# Sunhouse



## Product Description

SDF2E is a wall-mounted fan heater designed to forcibly blow the heated air down into the heating space to effectively circulate and rapidly heat the area for a 30 minute period. Both models feature pull cord activation with auto switch off (after 30 minutes) or deactivation by pull cord if required sooner

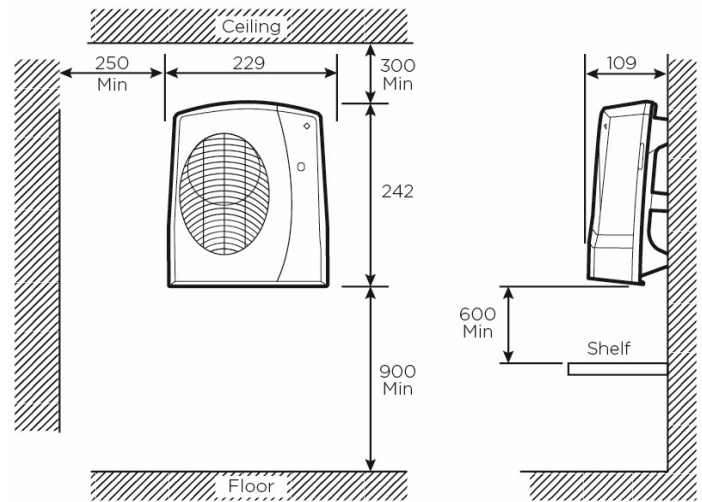
## Key Features

- Adjustable output at time of installation (1kW or 2kW)
- Factory-set 30 minute runback to ease of use and energy savings
- Pull cord operation
- Complies with Lot 20 of ERP Directive

## Technical Details

<b>Controls</b>	Factory-set 30 minute activation, activated and deactivated by pull cord
<b>Construction</b>	Double insulated plastic case. Moulded in flame retardant self extinguishing grade nylon.
<b>Element</b>	2kW stitched type with thermal fuse protection
<b>Installation</b>	Two upper keyhole slots are provided together with a third fixing hole to secure the heater to the wall. Supplied without cable.
<b>Safety</b>	Each product is fitted with an electrical reset cut-out, a non-resettable thermal fuse and now feature a resettable over heat detection electronic temperature limiter.
<b>Battery Backup</b>	None. Time and date must be re-programmed in event of power loss to the product
<b>Supply</b>	3 core for fused spur installation, 1/N/PE ~230-240 V, 50Hz Class I, with earth wire
<b>Colour / Finish</b>	White plastic case

## Dimensions



Model/Item No.(EAN-Code 5011139+Item No.)	060440 SDF2E
<b>Output (kW)</b>	1/2
<b>Height (mm)</b>	242
<b>Width (mm)</b>	229
<b>Depth (mm)</b>	109
<b>Weight (Kg)</b>	1.1
<b>IP Rating</b>	IP22

## Packaging Details

<b>Height (mm)</b>	260
<b>Width (mm)</b>	243
<b>Depth (mm)</b>	120
<b>Packed Weight (Kg)</b>	1.3
<b>Ti</b>	40
<b>Hi</b>	8
<b>Pallet Quantity (2.4m high)</b>	320

## Warranty & Approvals

<b>Approvals</b>	CE, BEAB
<b>Warranty</b>	2 years
<b>Country of Origin</b>	Ireland
<b>Manufacturer</b>	Sunhouse